

2- SEATER CHAIRLIFT “SAN GIORGIO – GAIBANA”

CLIENT: Bosco Turismo S.r.l.

LOCATION: Bosco Chiesanuova (Verona) - Italy

PROVIDED SERVICE: Preliminary and definitive project
Works site management

VALUE OF THE WORKS: € 1.652.660,00

TIME PERIOD OF CONSTRUCTION: 2002

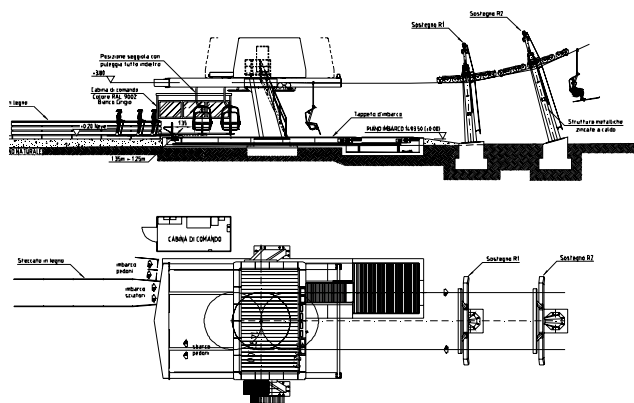
TIME PERIOD OF SERVICE PERFORMANCE: 2001



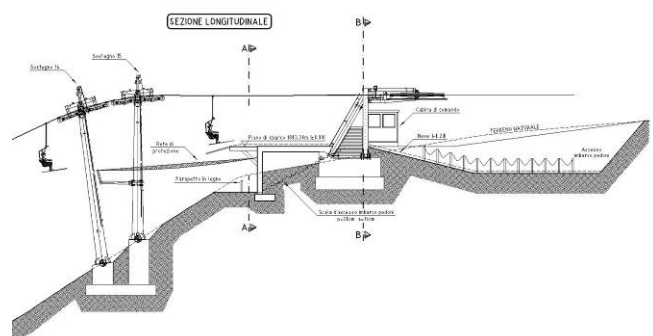
Lower station



Upper station



Lower station - project



Upper station - project

DESCRIPTION OF THE PROJECT:	Slope length	1156 m
	Difference in height	311 m
	Transport capacity	1200 p/h
	Max speed	2.8 m/s
	Motor output	200 kW

OTHER INFORMATION: Passenger loading conveyor